

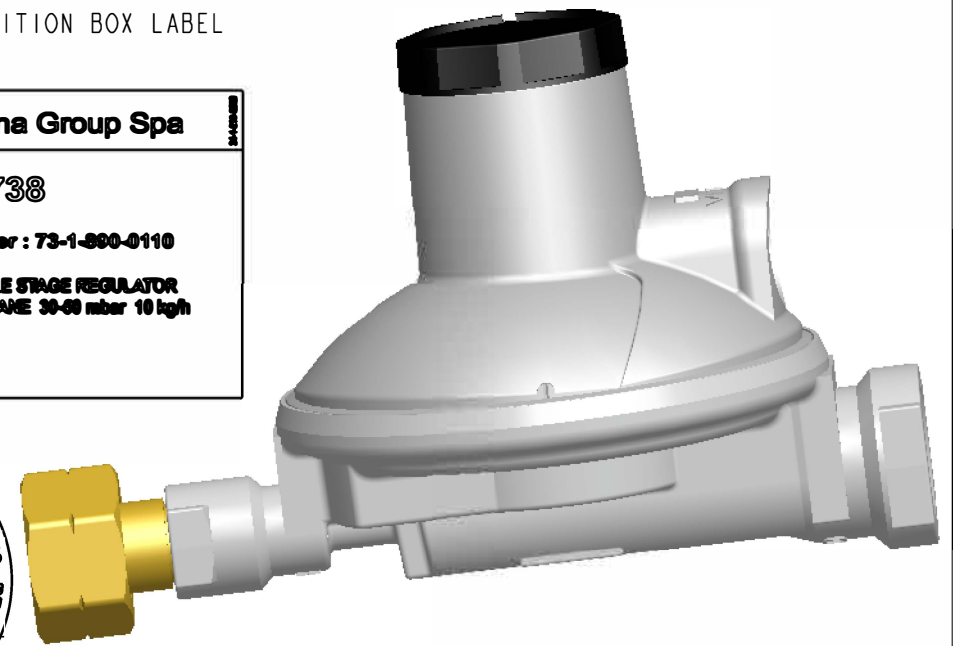
— LABEL FOR SINGLE BOX

**SINGLE STAGE REGULATOR  
TYPE 738 - PROPANE  
30-50 mbar - 10 kg/h  
INLET: W20x1/4" L.H. female (G.1)  
OUTLET: G 1/2 female (H.7)**

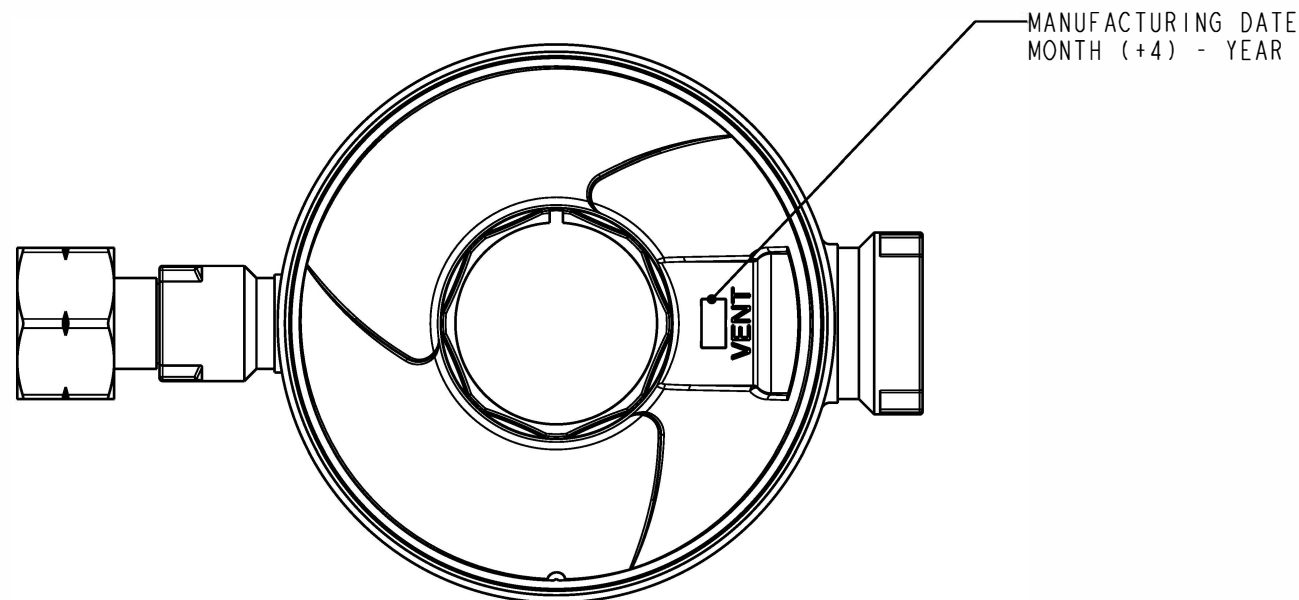
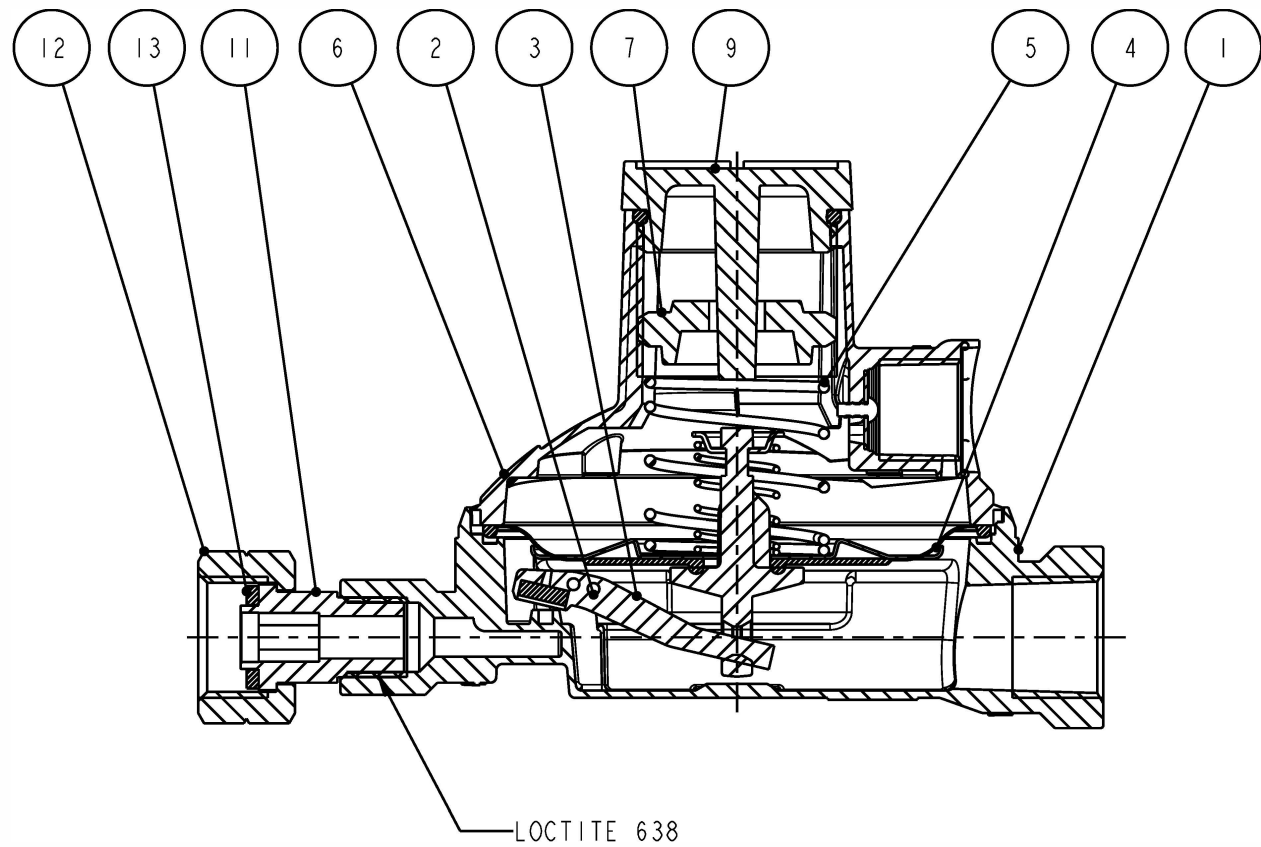
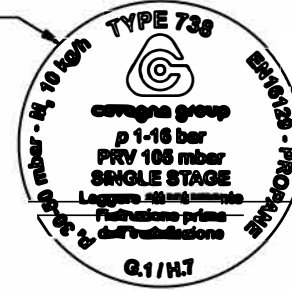
— EXPEDITION BOX LABEL

**Cavagna Group Spa**

Type of regulator : **738**  
Cavagna Part Number : **73-1-890-0110**  
Description: **SINGLE STAGE REGULATOR  
PROPANE 30-50 mbar 10 kg/h**  
Pos per carton:  
Data:



— INK STAMP (WHITE)



NO	NO PRODUCT	DENOMINATION	Q.TY
1	00-1-150-0646	MACHINED BODY TYPE 73 G1/4 - G1/2 - REPORT K-1/6	1
2	05-4-110-0020	PIN-LEVER	1
3	02-4-950-0005	S/I LEVETTA MOD.73 USA	1
4	09-1-950-0074	S/I MEMBRANA VDS MOD.73 EUROPA	1
5	07-1-110-0220	MOLLA TARATURA 2° STADIO MOD.738 30±50 mbar	1
6	01-1-950-0085	S/A COVER FOR REGULATOR TYPE 738 WITH SCREEN	1
7	08-4-110-0032	SPRING ADJUSTER	1
8	24-1-110-0001	WHITE ALUMINIUM RAL 9006	1
9	19-4-950-0022	S/I TAPPO MOD.73 USA	1
10	18-1-310-0905	INK STAMP FOR TYPE 738	1
11	16-1-110-0126	RACCORDO	1
12	10-1-110-0005	UNION NUT - W 20 X 1/14" G1-EN 12864	1
13	04-1-110-0007	SEALING WASHER	1
14	34-1-110-1221	INSTRUCTION TYPE 734 - EN16129 (IT-GR)	1
15	23-1-210-0221	IMBALLO REGOLATORE INDIVIDUALE	1
16	34-1-210-2999	SINGLE BOX LABEL	1
17	23-1-510-0024	STANDARD BOX (R52)	1
18	34-1-210-3000	EXPEDITION BOX LABEL	1

	<b>DENOMINATION</b>					<b>PROPANE 30±50 mbar 10 Kg/h</b>	
	<b>SINGLE STAGE REGULATOR TYPE 738 WITH SAFETY</b>						
<b>RECA</b>	<b>MODEL</b> 738	<b>ORIFICE</b> 3.4	<b>INLET</b> W20X1/4" L.H.	<b>OUTLET</b> G 1/2 FEMALE	<b>SHARED</b> N.A.	<b>PROD. INT. GROUP</b> -	
<b>PERFORMANCE DOC.</b> 73-062	<b>COUNTRY</b> N.A.	<b>COUNTRY SPECIFIC</b> N.A.	<b>WEIGHT</b> 0.575	<b>SCALE</b> 4:5	<b>MODIFY FILE</b> N.A.	<b>PRODUCT NO</b> 73-1-890-0110	
<b>PROD. EVOLUTION</b> DEFINITIVE	<b>PROJECT NO</b> DS05444	<b>RELEASE LEVEL</b> APPROVED	<b>DRAWN BY</b> PEDRINI M.	<b>VERIFIED BY</b> TOMASELLI L.	<b>APPROVED BY</b> SCHLICK B.	<b>DATE</b> 07/04/16	