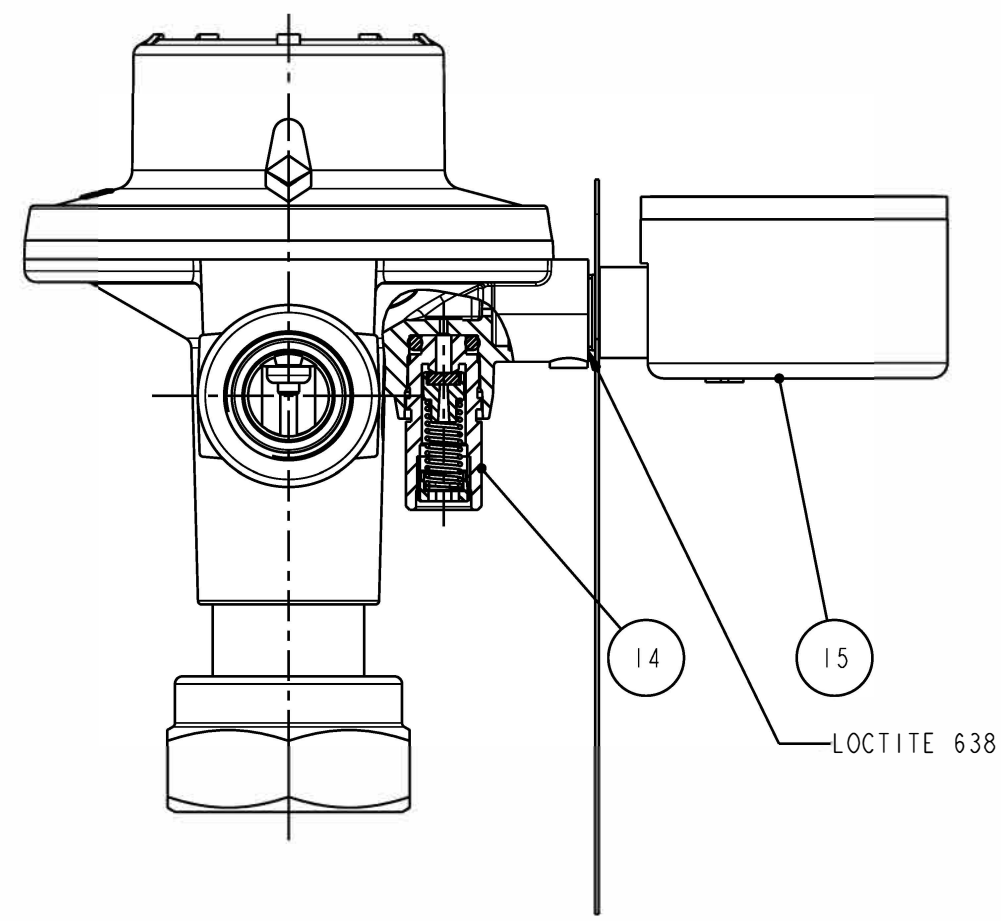
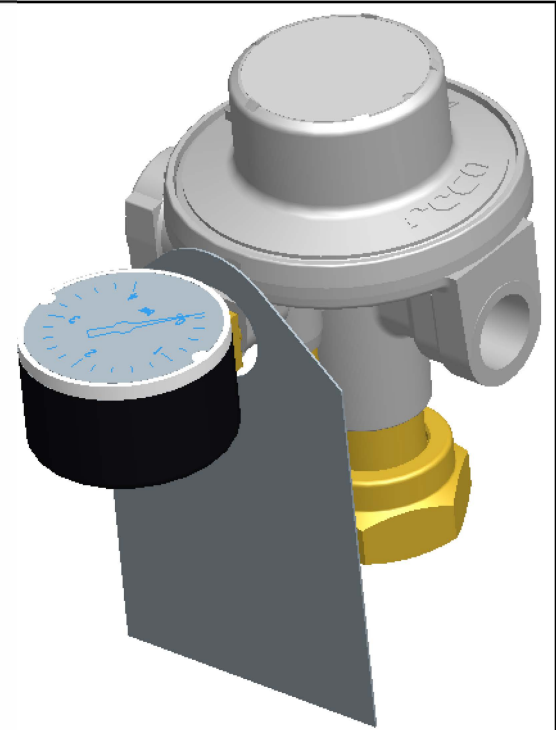
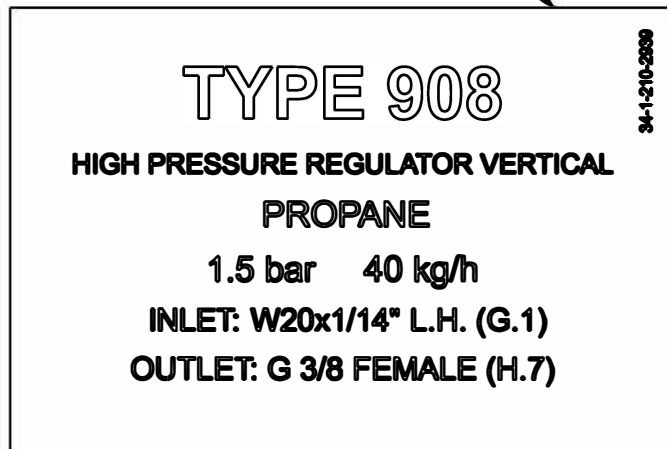


LABEL FOR SINGLE BOX



NO	NO PRODUCT	DENOMINATION	Q.TY
1	00-1-150-2091	SCATOLA A.P. Tipo "ITA"-VERT.-lavorata	1
2	04-1-110-0503	ANELLO TOROIDALE	2
3	15-1-110-0022	RONDELLA	1
4	06-1-950-0010	PASTICCA ADERIZZATA	1
5	09-1-950-0039	S/I MEMBRANA MOD.90	1
6	07-1-110-0129	MOLLA DI TARATURA MOD.90 (1.5 bar-FRA)	1
7	01-1-150-0100	COPERCHIO A. P. LAVORATO	1
8	24-1-110-0001	WHITE ALUMINIUM RAL 9006	1
9	18-1-110-2620	NAMEPLATE FOR REGULATOR TYPE 908	1
10	16-1-110-0302	RACCORDO	1
11	04-1-110-0520	ANELLO TOROIDALE (RIF. J.F. R 6A)	1
12	10-1-110-0114	CALOTTA MOD90	1
13	04-1-110-0017	GUARNIZIONE 3/4 HPV	1
14	16-1-950-0128	VALVOLA DI SICUREZZA (TARATURA 3 bar)	1
15	50-1-110-0003	MANOMETRO PERNO RADIALE	1
16	23-1-410-0144	INSTRUCTION FOR TYPE 908V	1
17	34-1-110-1251	INSTRUCTION FOR TYPE 904 - 908	1
18	23-1-210-0080	STANDARD SINGLE BOX	1
19	34-1-210-2939	SINGLE BOX LABEL FOR TYPE 908	1
20	23-1-510-0002	STANDARD BOX (R34)	1

	DENOMINATION		REGOLATORE ALTA PRESSIONE VERTICALE		PROPANE 1.5 bar 40 Kg/h	
	RECA		N. A.		N. A.	
MODEL	ORIFICE	INLET	OUTLET	SHARED	PROD. INT GROUP	
908	5.8	G3/4" FEMALE	G 3/8 FEMALE	N.A.	-	
PERFORMANCE DOC.	COUNTRY	COUNTRY SPECIFIC	WEIGHT	SCALE	MODIFY FILE	PRODUCT NO
521	ITALY	N.A.	N.A.	1:1	DM05391	90-1-890-0049
PROD. EVOLUTION	PROJECT NO	RELEASE LEVEL	DRAWN BY	VERIFIED BY	APPROVED BY	DATE
DEFINITIVE	96-059	APPROVED+	PEDRINI M.	TOMASELLI L.	SCHLICK B.	11/01/16