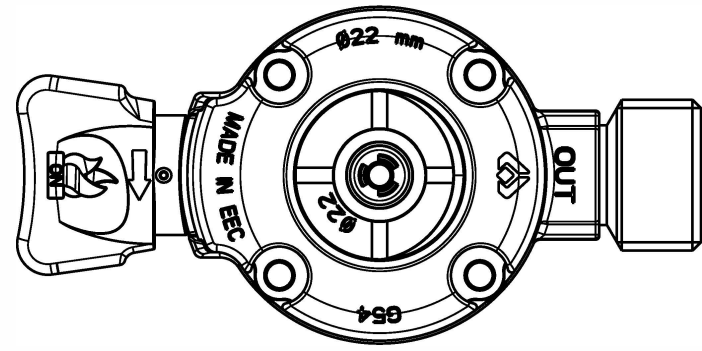


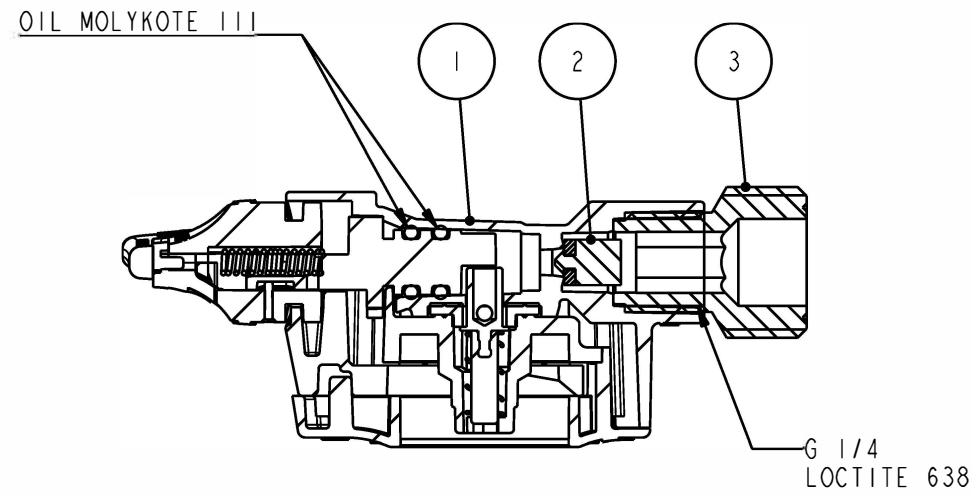
This drawing may not be copied or distributed in any way without the written permission of Cavagna Group Div. RE.CA. Via Matteotti, 5 - Calvisano - BS - Italy



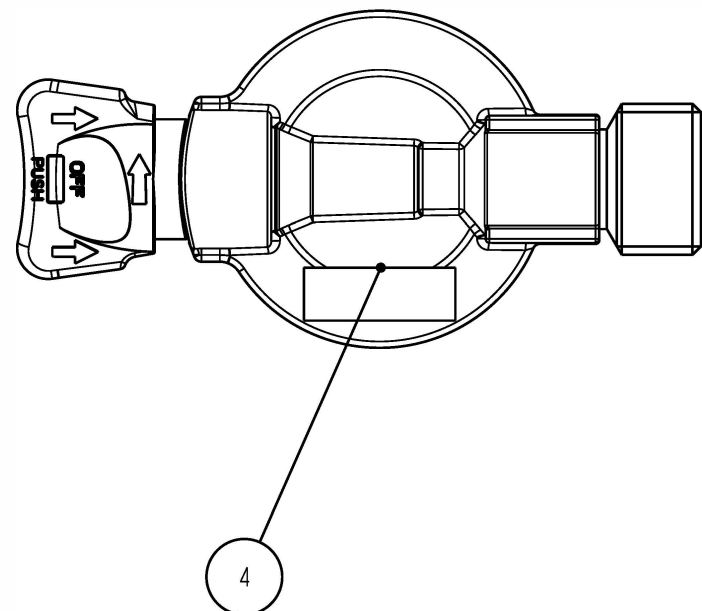
OUTLET (G1)	LABEL
	TYPE 511 Ø 20 X 1/14" L.H.




STAMP THE MANUFACTURING DATE
MONTH AND YEAR



BEFORE PACKING THE
ADAPTOR, THE HANDLE HAS
TO BE IN "OFF" POSITION



NO	NO PRODUCT	DENOMINATION	Q.TY
1	51-2-950-5001	S/A QUICK-ON Ø22 mm HORIZONTAL	1
2	03-1-950-0013	S/A PISTON	1
3	16-1-110-0048	FITTING	1
4	18-1-110-1271	TARGHETTA AUTOADESIVA	1
5	34-1-110-0722	ISTRUZIONE FOR ADAPTATORS QUICK-ON (D-H-P-UK-I-E)	1
6	23-1-210-0040	POLYBAG (150 x 200)	1
7	23-1-510-0024	STANDARD BOX (R52)	1

 cavagna group	DENOMINATION		QUICK-ON Ø22 mm ADAPTOR W20 x 1/14" L.H.		-	N.A.	N.A.
	RECA	MODEL	ORIFICE	INLET	OUTLET	SHARED	PROD. INT GROUP
PERFORMANCE DOC.	511	N.A.	QUICK-ON 22	Ø 20x1/14" L.H.	N.A.	-	
503	COUNTRY	COUNTRY SPECIFIC	WEIGHT	SCALE	MODIFY FILE	PRODUCT NO	REV
DEFINITIVE	N.A.	N.A.	N.A.	1:1	N.A.	51-2-190-5014	0
PROJ. EVOLUTION	PROJECT NO	RELEASE LEVEL	DRAWN BY	VERIFIED BY	APPROVED BY	DATE	
DEFINITIVE	N.A.	APPROVED+	RUSSO R.	TOMASELLI L.	SCHLICK B.	25/11/11	