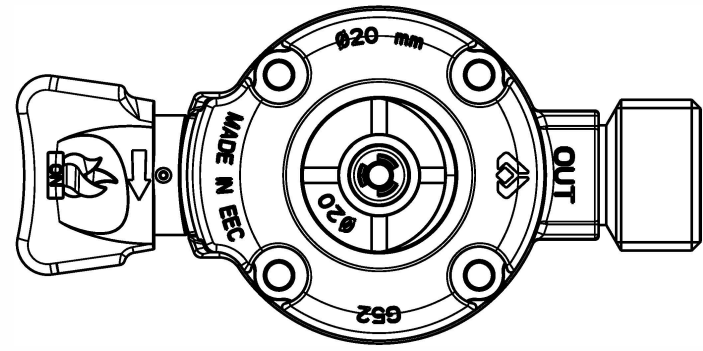


This drawing may not be copied or distributed in any way without the written permission of Caragna Group Div. RE.CA. Via Matteotti, 5 - Calvisano - BS - Italy

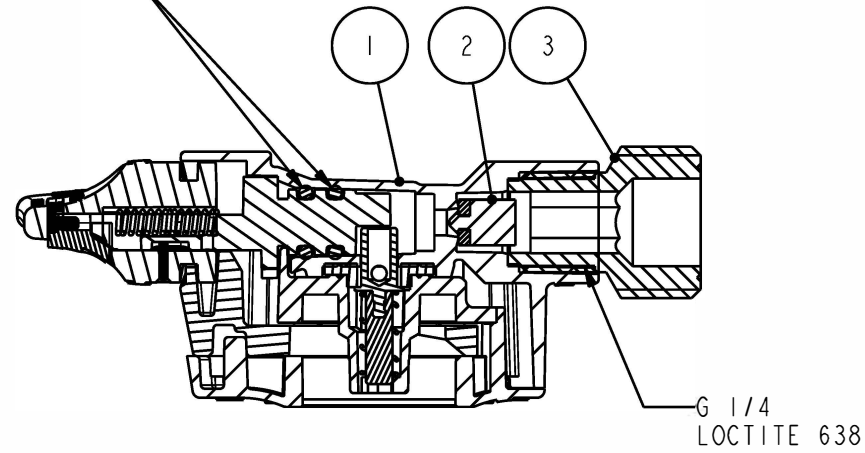


OUTLET (G1)	TYPE 511 Ø 20 X 1/14" L.H.
----------------	-------------------------------

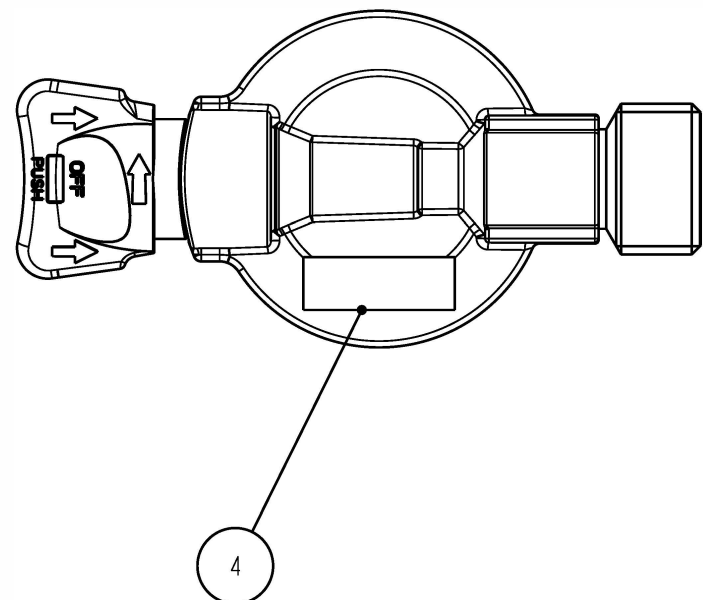


STAMP MANUFACTURING DATE  
MONTH - YEAR


GRASSO MOLYKOTE IIII



BEFORE PACKING THE ADAPTOR THE  
HANDLE HAS TO BE IN "OFF"  
POSITION



NO	NO PRODUCT	DENOMINATION	Q.TY
1	51-2-950-5002	S/A QUICK-ON Ø20 mm HORIZONTAL	1
2	03-1-950-0013	S/A PISTON	1
3	16-1-110-0048	FITTING	1
4	18-1-110-1271	TARGETTA AUTOADESIVA	1
5	34-1-110-0722	ISTRUZIONE FOR ADAPTATORS QUICK-ON (D-H-P-UK-I-E)	1
6	23-1-210-0040	POLYBAG (150 x 200)	1
7	23-1-510-0024	STANDARD BOX (R52)	1

	<b>DENOMINATION</b> QUICK-ON Ø20 mm ADAPTOR W20x1/14" L.H. HORIZONTAL - N.A. N.A. N.A.						
	<b>MODEL</b> 511	<b>ORIFICE</b> N.A.	<b>INLET</b> QUICK-ON 20		<b>OUTLET</b> ø 20x1/14" L.H.	<b>SHARED</b> N.A.	<b>PROD. INT GROUP</b> -
<b>PERFORMANCE DOC.</b> 503	<b>COUNTRY</b> ITALIA	<b>COUNTRY SPECIFIC</b> N.A.	<b>WEIGHT</b> N.A.	<b>SCALE</b> 1:1	<b>MODIFY FILE</b> N.A.	<b>PRODUCT NO</b> 51-2-190-5021	<b>REV</b> 0
<b>PROD. EVOLUTION</b> DEFINITIVE	<b>PROJECT NO</b> N.A.	<b>RELEASE LEVEL</b> APPROVED+	<b>DRAWN BY</b> RUSSO R.	<b>VERIFIED BY</b> TOMASELLI L.	<b>APPROVED BY</b> SCHLICK B.	<b>DATE</b> 25/11/11	